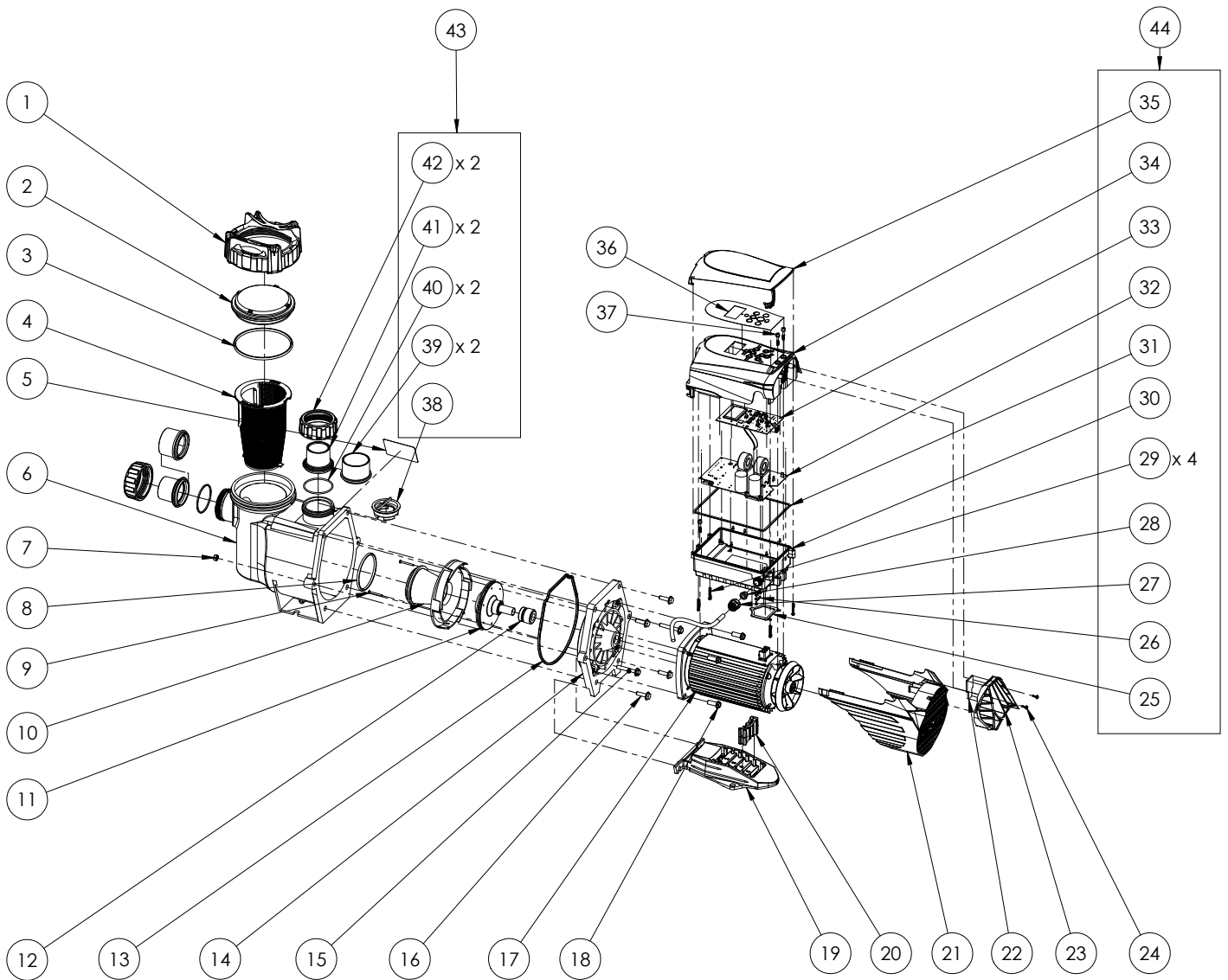


VIRON EVO P320 PUMPS



Rainbow Pool Products

PO Box 2388, Mansfield Qld 4122

Telephone STD 61-7-3849 5385

Facsimile STD 61-7-3849 5384

Email: info@rainbowpoolproducts.com.au

Web: www.rainbowpoolproducts.com.au

VIRON EVO P320 PUMPS

Key	Description	Product code	Qty Required
1	1/2 Turn Pump Lid Locking Clamp	40088	1
2	1/2 Turn Pump Lid - Clear	40087	1
3	O-Ring - Pump Lid	70006	1
4	Basket TX/CX	40065	1
5	Volute - H & L Pot - Graphite Pearl	4007502	1
6	Nut - M8 S/Steel - TX/CX/E/CTX Pump	40170	2
7	O-Ring Tail Union 65mm - BX/FX/CTX/P3	78104	1
8	Bolt - Pan Head 6g x 35 S/Tap S/Steel	40165	2
9	BX/CTX/E Diffuser Small	40071A	1
10	Impeller Moulded 11.5mm-Small	40061	1
11	Mechanical Seal - BX/TX/CX/E/CTX/P3	75508	1
12	Square O-Ring (Seal Plate) EPDM	70004	1
13	Seal Plate - Graphite Pearl	4009002	1
14	Bolt - M8 x 55 IND HEX SEMS S/Steel	40160	2
15	Bolt-M8 x 30 IND HEX SEMS S/Steel	40150	4
16	Motor BLDC 1.0HP	71420	1
17	Bolt - HEX Washer Head-M10 x 25 IND-S	40156	4
18	Motor Foot - Graphite Pearl	4005002	1
19	Rubber Insert - V2- Pump Motor Foot	40056	1
20	Viron eVo Fan Cowl	70600	1
21	Viron eVo Rear Cover With RJ12	70603	1
22	8g x 1/2" S/Steel Screw	40234	2
23	Viron eVo Pump RJ12 Gasket	70562	1
24	BLDC Silicon Motor Gasket	78714	1
25	Screw-PH#2 EPIC-1101599-8-4.2 x 30M	75818	4
26	BLDC Brass Earthing Tab	78704	1
27	eVo Power Cord Lock Nut	70560	1
28	BLDC Power Cord Seal Grip	70561	1
29	Viron eVo Controller Heat Sink	70604	1
30	BLDC Pump Electrical Box Gasket	70563	1
31	PCB - BLDC Motor Board 1.0HP - No Power	70517	1
32	PCB - BLDC User Panel Standard V2 - P280	70515	1
	PCB - BLDC User Panel Premium V2 - P310	70516	1
33	Viron eVo Pump Control Box	70601	1
34	Viron eVo Trans Grey Hinged Cover	70602	1
35	Viron eVo STD Controller Label - P280	LABEL310	1
	Viron BLDC Prem Controller Label - P310	LABEL311	1
36	M5 x 28 BLDC Cover Bolt and Washer	78715	3
37	Check Valve Assembly - All Pumps	40300	1
38	Tail Union 50/40mm Reducer ABS	950918	2
39	O-Ring 50mm Union	70003	3
40	Tail Union 50mm ABS	950920	2
41	Lock Nut to Suit 50mm Tail	950919	2
42	Component Bag - 50mm Pump Tail	78303	1
43	PCB CONTROL BOX - BLDC STD 1.0HP - P280	21480	1
	PCB CONTROL BOX - BLDC PREM 1.0HP - P310	21483	1